

Oil-less Bolt-on Pin and Bush Assemblies

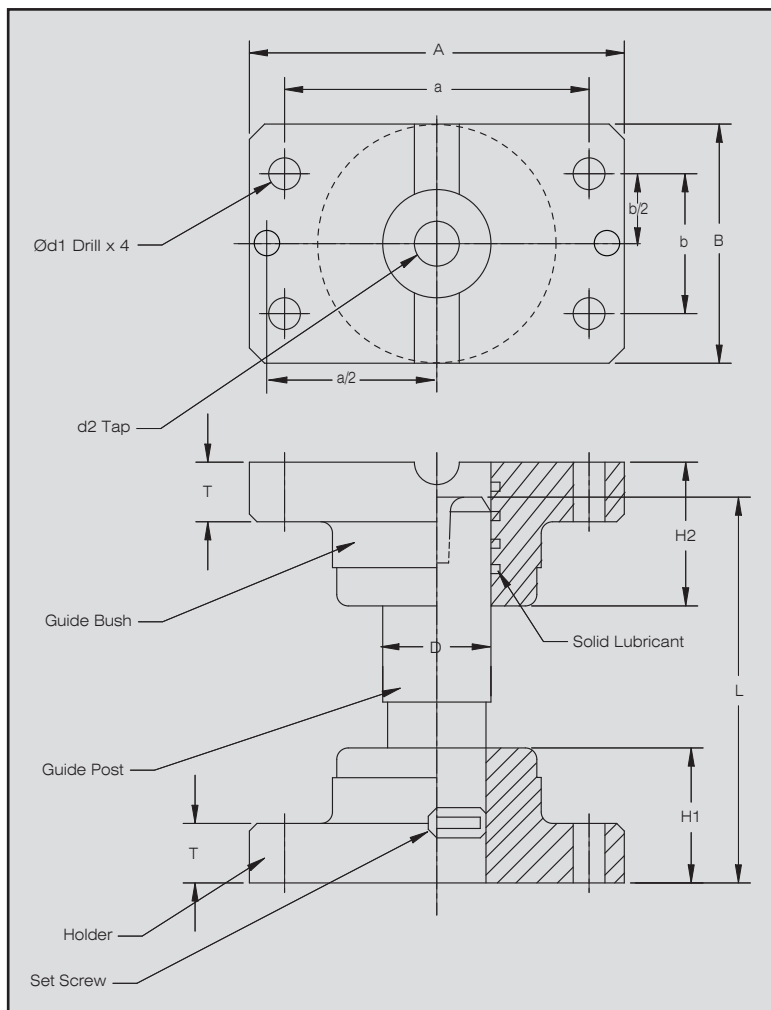


MATERIALS

Guide post: deep core strength, case hardened material.

Holder: automotive high alloyed iron.

Guide Bush: automotive high alloyed iron with solid lubricant.



STD. NO.	ØD	L	A	B	H ₁	H ₂	a	b	T	Ød ₁	eH7	SCREW 8pcs	DOWEL 4pcs	
P-SGR-25X	80	80												
	100	25	100	84	48	30	45	66	30	20	9	+0.015 8.0	M8x35	8x30
	120		120											
P-SGR-32X	100		100											
	120	32	120	100	58	40	50	76	36	20	11	+0.015 8.0	M10x40	8x30
	140		140											
P-SGR-38X	120		120											
	140	38	140	130	75	50	60	100	44	25	11	+0.015 10.0	M10x45	10x40
	160		160											
P-SGR-50X	160		160											
	200	50	200	155	90	65	85	125	60	25	14	+0.015 10.0	M12x50	10x40
	250		250											
P-SGR-60X	200		200											
	250	60	250	190	120	75	100	150	80	30	18	+0.018 13.0	M16x60	13x50
	300		300											
P-SGR-80X	250		250											
	300	80	300	230	150	100	130	180	110	35	22	+0.018 16.0	M20x75	16x60
	350		350											

When assembling, two dowel pins are to be fitted in guide bush and holder.
Please Note: dowels and screws are included in assembly.