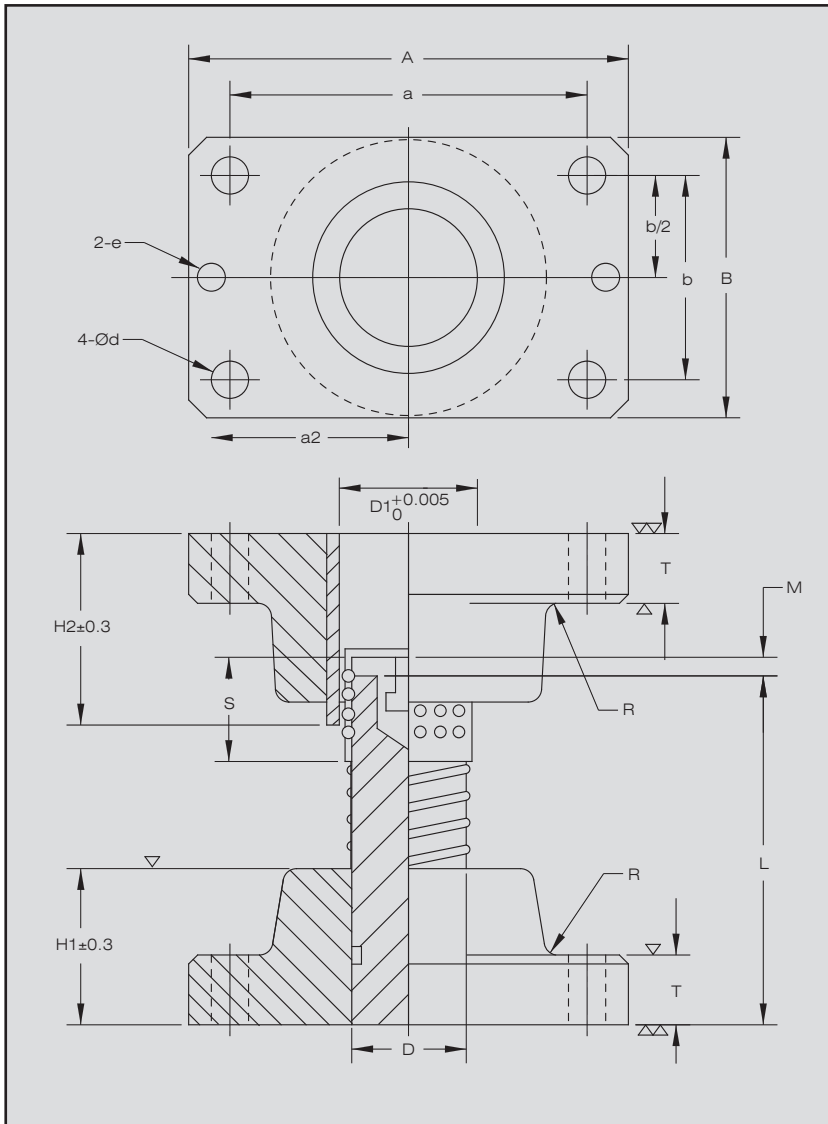


Bolt-on Ball Bearing Pin and Bush Assemblies



- Light smooth action.
- Helical design of cage and plunger design allows cage to freely rotate over the entire peripheral surface.
- Lubrication problems are almost entirely eliminated.
- Perfect precision alignment.

Pins and Bushes

D	D ₁	A	B	a	b	d	H ₁	H ₂	T	S	M	eH7	S.H. SCREW (8 OFF)	DOWELL (4 OFF)	
25	31	84	48	66	30	9	30	50	20	50	0 - 20	8		8Ø-35	8Ø-30
32	40	100	58	76	36	11	40	60	20	60	0 - 25	8	+0.015 0	10Ø-40	8Ø-30
38	48	130	75	100	44	11	50	70	25	70	0 - 29	10		10Ø-45	10Ø-40
50	60	155	90	125	60	14	65	90	25	90	0 - 42	10		12Ø-50	10Ø-40
60	70	190	120	150	80	18	75	100	30	100	0 - 59	13	+0.018 0	16Ø-60	13Ø-50

M: movable range of stopper.

Please Note: 60 Dia has fixed stopper.

PSR-BB	D	L										
PSR-BB	25	100	120		140	160	180					
PSR-BB	32		120		140	160	180	200				
PSR-BB	38				140	160	180	200	240			
PSR-BB	50						180	200	240	260	300	
PSR-BB	60							200	240	260	300	350

When assembling, two dowel pins are to be fitted in the guide bush and holder.

Please note: dowels and screws are included in assembly.