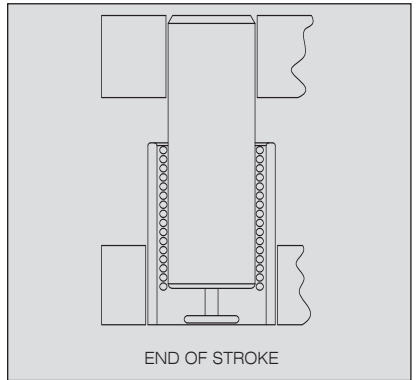
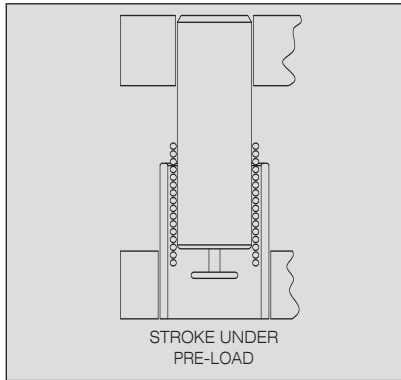
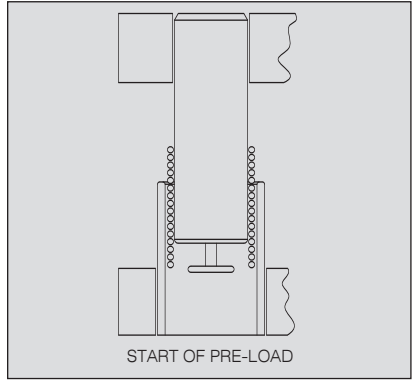
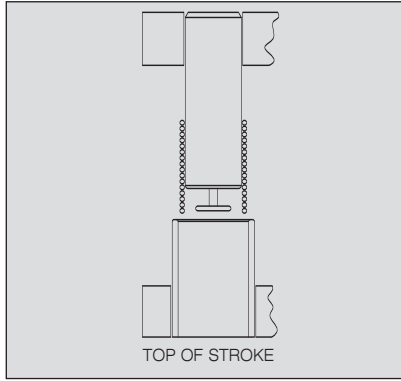


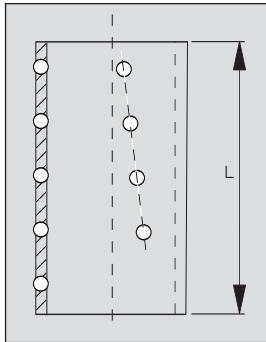
HBB Series



BALL BEARING PINS AND BUSHES OFFER DISTINCT ADVANTAGES



HBB HELICAL CAGE



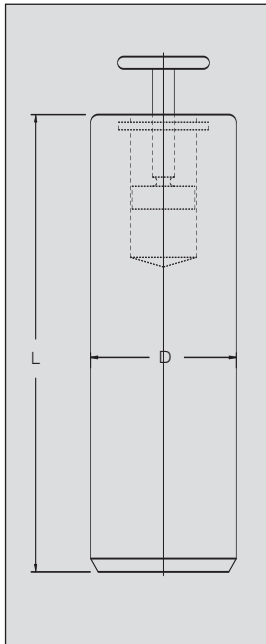
NOM. PIN. DIA.	LENGTHS
25	60, 75
32	75, 90
38	75, 90
45	90, 110
50	90, 110
60	90, 110

Difficulties of assembly and disassembly of diesets are eliminated.

Lubrication problems are almost entirely eliminated.

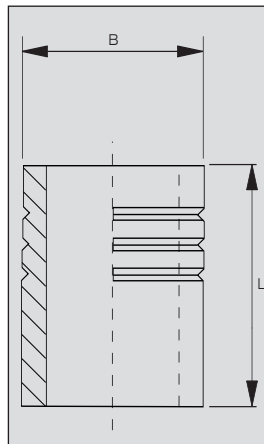
Perfect alignment increases die life.

HBB GUIDE PIN



POST. DIA. D	LENGTHS
25mm	130, 150
+0.020	180, 200
+0.015	150, 170
+0.025	190, 200
+0.020	220, 240
38mm	150, 180
+0.030	200, 240
+0.025	260, 280
45mm	180, 200
+0.030	220, 240
+0.025	260, 280
50mm	200, 220
+0.035	240, 260
+0.030	280, 300
60mm	200, 220
+0.035	240, 260
+0.030	280, 300

HBB BUSING



POST DIA. A	O.D. B	LENGTH
25	45	60
	0	80
	-0.007	
32	55	80
	0	100
	-0.008	
38	64	80
	0	100
	-0.008	
45	74	100
	0	120
	-0.008	
50	83	100
	0	120
	-0.010	
60	95	100
	0	120
	-0.010	