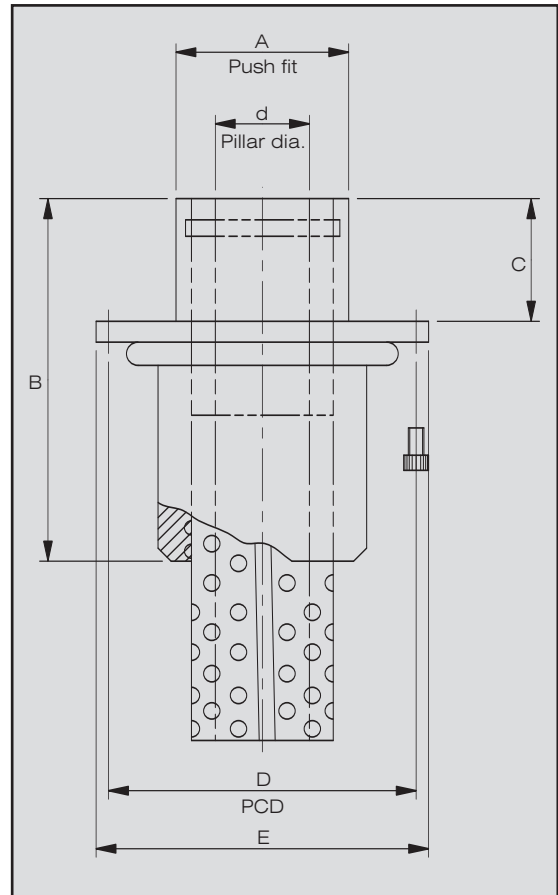


# Exacta Ball Bushes



- Preloaded for high precision applications.
- Captive ball cage.
- Recommended for high-speed operations.
- Flanged mounting.
- Spiro-helical ball pattern for extended life.

HALES CODE	d	A	B	C	D	E
EXBB 0.750	0.750	1.125	2.937	0.937	2.000	2.375
EXBB 1.00	1.000	1.5000	3.437	1.218	2.312	2.687
EXBB 1.250 S	1.2500	1.7500	3.937	1.218	2.656	3.000
EXBB 1.250	1.2500	1.7500	3.937	1.687	2.656	3.000
EXBB 1.500	1.5000	2.000	4.187	1.875	2.968	3.437

HALES CODE	A	B	C	L
EXP0.750 X L	0.750	.7355	1.250	5.5
EXP1 X L	1.000	.9855	1.500	6, 6.5, 7.5
EXP1.25 X L	1.250	1.2355	2.000	6, 6.5, 7.5, 8.5
EXP1.50 X L	1.500	1.4855	2.000	7.5, 8.5, 9.5

