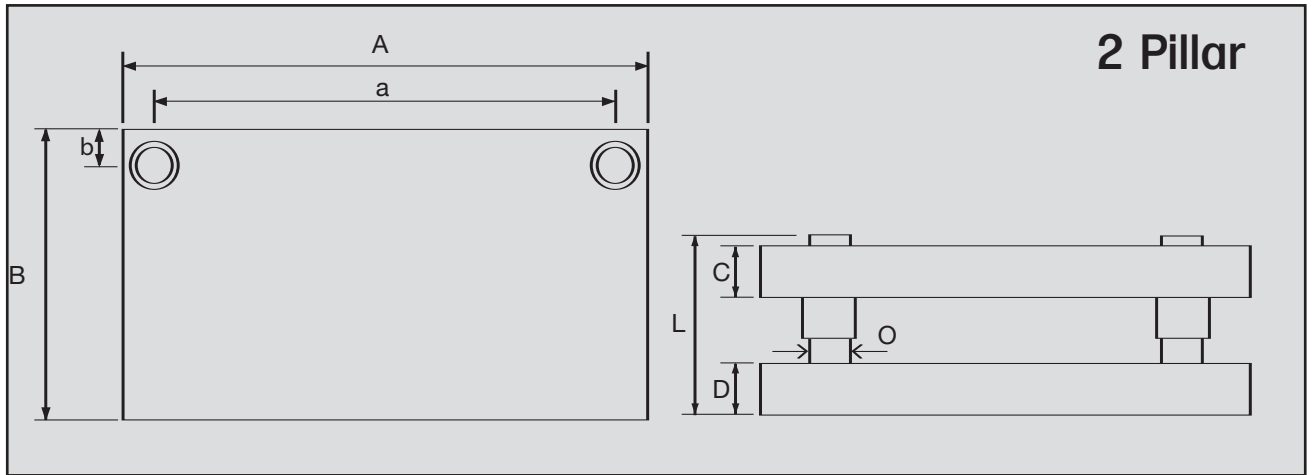
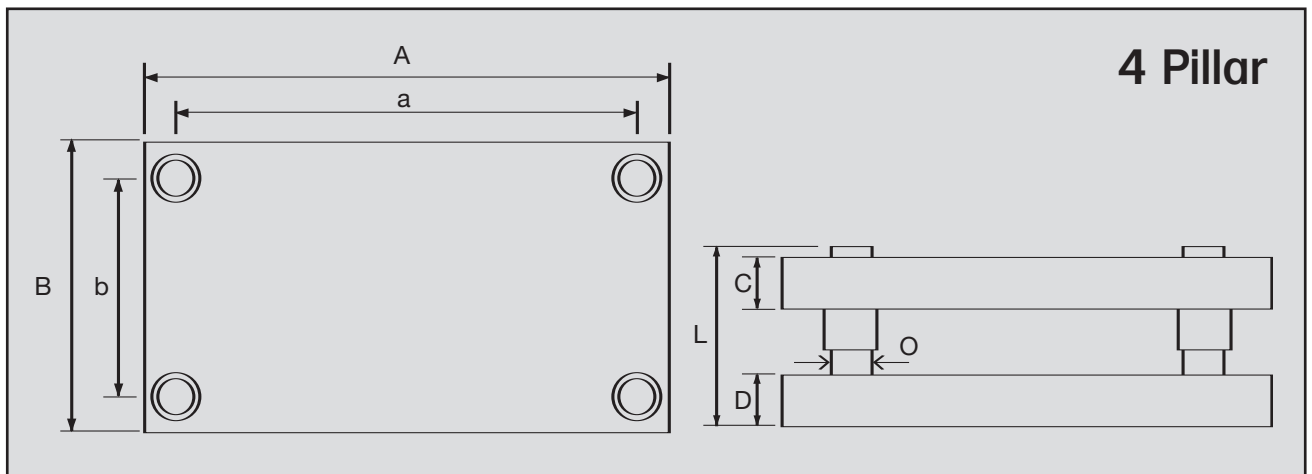


# Special Die Set



A	B	C	D	a	b	L	O



A	B	C	D	a	b	L	O

The following options are available on request;

- Ball Bearing Bushings
- Drilling & Tapping (detailed drawing required)
- Pocketing (detailed drawing required)

