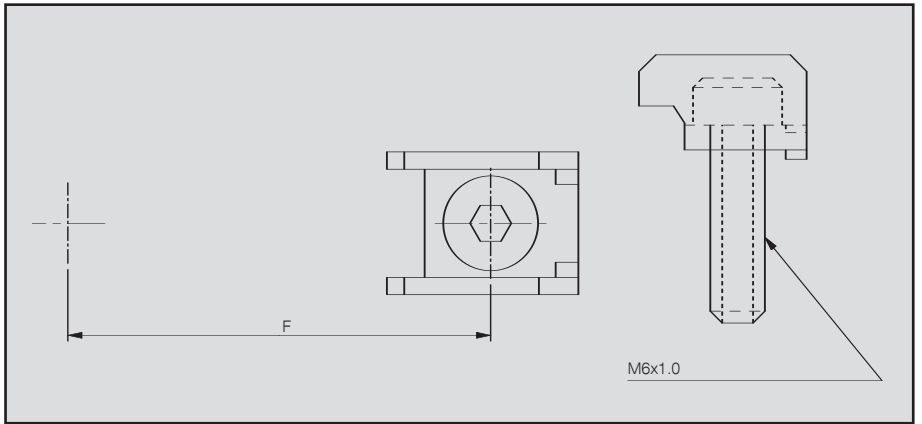


Standard Die Set Oil-less Demountable Guide Bushes



These bushes are a standard component in all Hales die-sets.
 MATERIAL: DEEP CORE STRENGTH CASE HARDENED MATERIAL WITH SOLID LUBRICANT

TOE CLAMP
 HALES PART NO. HRBTC



HALES CODE	A	B	C	D	E	L	F
HRB 2532	25.037	44.45	38.10	31.75	22.25	54.00	2740
HRB 2560	25.037	44.45	38.10	57.15	22.25	79.40	2740
HRB 3238	31.387	53.97	44.45	38.10	28.58	66.70	32.10
HRB 3261	31.387	53.97	44.45	60.33	28.58	88.90	32.10
HRB 3838	37.737	60.00	50.80	38.10	34.93	73.00	35.30
HRB 3870	37.737	60.00	50.80	69.85	34.93	104.80	35.30
HRB 3890	37.737	60.00	50.80	88.90	34.93	123.80	35.30
HRB 4576	44.087	66.68	57.15	76.18	41.30	117.50	38.50

TOLERANCE MM	
A=	+0.008
	-0
C=	+0.000
	-0.013

