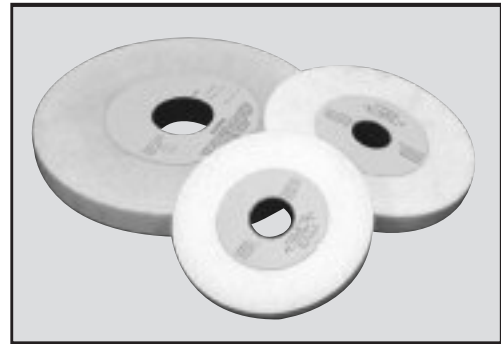


Grinding Wheels

Part Number	Description
WA1506060	150 X 6 X 31.75 WA60K
WA1506120	150 X 6 X 31.75 WA120K
WA1513046	150 X 13 X 31.75 WA46K
WA1513060	150 X 13 X 31.75 WA60K
WA1806046	180 X 6 X 31.75 WA46K
WA1806060	180 X 6 X 31.75 WA60K
WA1806120	180 X 6 X 31.75 WA120K
WA1813046	180 X 13 X 31.75 WA46K
WA1813060	180 X 13 X 31.75 WA60K
WA1820046	180 X 20 X 31.75 WA46J
WA1820060	180 X 20 X 31.75 WA60J
WA2013046	200 X 13 X 31.75 WA46K
WA2013060	200 X 13 X 31.75 WA60K
WA2020346	200 X 20 X 31.75 WA46J
WA2020360	200 X 20 X 31.75 WA60J
WA2020546	200 X 20 X 50.8 WA46J
WA2020560	200 X 20 X 50.8 WA60J
WA2025546	200 X 25 X 50.8 WA46J
WA2025560	200 X 25 X 50.8 WA60J
WA2520746	250 X 20 X 76.2 WA46J
WA2520760	250 X 20 X 76.2 WA60J
WA2525746	250 X 25 X 76.2 WA46J
WA2525760	250 X 25 X 76.2 WA60J
WA3025746	300 X 25 X 76.2 WA46K
WA3025760	300 X 25 X 76.2 WA60K
WA3040146	300 X 38 X 127 WA46K

Surface Grinding



White Aluminium Oxide for Surface Grinding and Tool Steel

Available in:

- Straight
- Recessed
- Cup
- Flared

More standard sizes available and specials available upon request

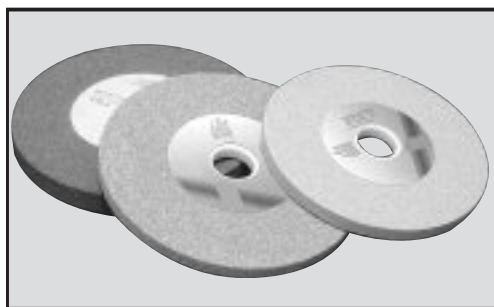
Combination Stone

Combi stones are ideal for the toolmaker to carry in the top pocket. These oil filled stones are great for honing, sharpening and deburring. Combines 120 and 320 grits.

Part Number	Description
COMSTONE	16 x 41 x 114
ZCS	25 x 50 x 200



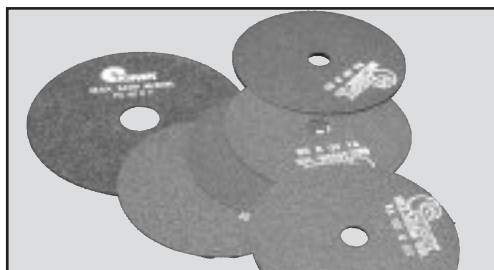
Grinding Wheels



Blue Ceramic grain for hard to grind tool steels.

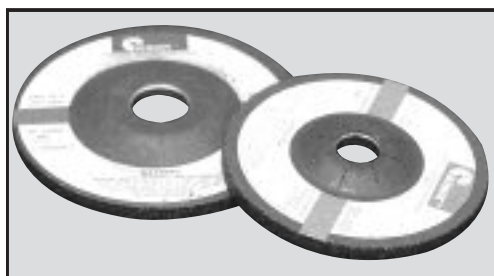
Part Number	Description
GW15063138A120K	150 X 6 X 31.75 38A120K
GW180133138A46J	180 X 13 X 31.75 38A46J
GW180133138A60J	180 X 13 X 31.75 38A60JVJB
GW20063138A46K	200 X 6 X 31.75 38A46K
GW20063138A60K	200 X 6 X 31.75 38A60K
GW200133138A60J	200 X 13 X 31.75 38A60J
GW200203138A46J	200 X 20 X 31.75 38A46J
GW200203138A60J	200 X 20 X 31.75 38A60J
GW200205038A46J	200 X 20 X 50.8 38A46JVBE
GW200255038A46	200 X 25 X 50.8 38A46J
GW250255038A46J	250 X 25 X 50.8 38A46JVBE
GW1801331SGB46J	180 X 13 X 31.75 SGB46J
GW2001331SGB46J	200 X 13 X 31.75 SGB46JVH
GW1801331SGB60J	180 X 13 X 31.75 SGB60J
GW2001331SGB60J	200 X 13 X 31.75 SGB60J
GW2002031SGB60J	200 X 20 X 31.75 SGB60J
GW30025127SGB46J	300 X 25 X 127 SGB46J
GW30025127SGB60J	300 X 25 X 127 SGB60J
GW1802531SGB46J	180 X 25 X 31.75 SGB46J
GW1802531SGB60J	180 X 25 X 31.75 SGB60J
GW30040127SGB46J	300 X 40 X 127 SGB46J
GW30040127SGB60J	300 X 40 X 127 SGB60J

Cut Off Wheels



Part Number	Description
WA015101960	150 X 1.0 X 19.05 X #60
WA015163146	150 X 1.6 X 31.75 X 46#
WA015163160	150 X 1.6 X 31.75 X 60#
WA018163146	180 X 1.6 X 31.75 X 46#
WA018163160	180 X 1.6 X 31.75 X #60
WA020163146	200 X 1.6 X 31.75 X #46
WA020163160	200 X 1.6 X 31.75 X #60

Depressed Centres



Part Number	Description
DC100	100 X 6 X 16 Depress Cent
DC115	115 X 6 X 22 Depress Cent
DC127	127 X 6 X 22 Depress Cent
DC180	180 X 6 X 22 Depress Cent

Quality Abrasive Roll

Part Number	Description
AR10060	1 X 60 Grit Abrasive Roll
AR10080	1 X 80 Grit Abrasive Roll
AR10120	1 X 120 Grit Abrasive Roll
AR10180	1 X 180 Grit Abrasive Roll
AR10240	1 X 240 Grit Abrasive Roll
AR20060	2 X 60 Grit Abrasive Roll
AR20080	2 X 80 Grit Abrasive Roll
AR20120	2 X 120 Grit Abrasive Roll



Part Number	Description
AR20180	2 X 180 Grit Abrasive Roll
AR20240	2 X 240 Grit Abrasive Roll

Economy Roll

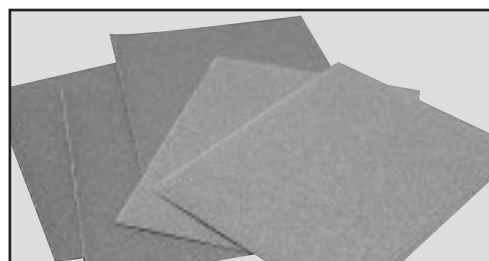
Part Number	Description
ER25060	25MM X 60# Economy Roll
ER25080	25MM X 80# Economy Roll
ER25120	25MM X 120# Economy Roll
ER25180	25MM X 180# Economy Roll
ER25240	25MM X 240# Economy Roll
ER25320	25MM X 320# Economy Roll
ER40060	40MM X 60# Economy Roll
ER40080	40MM X 80# Economy Roll
ER40120	40MM X 120# Economy Roll
ER40180	40MM X 180# Economy Roll
ER40240	40MM X 240# Economy Roll
ER40320	40MM X 320# Economy Roll



Part Number	Description
ER50060	50MM X 60# Economy Roll
ER50080	50MM X 80# Economy Roll
ER50100	50MM X 100# Economy Roll
ER50120	50MM X 120# Economy Roll
ER50180	50MM X 180# Economy Roll
ER50240	50MM X 240# Economy Roll
ER50320	50MM X 320# Economy Roll

Wet and Dry

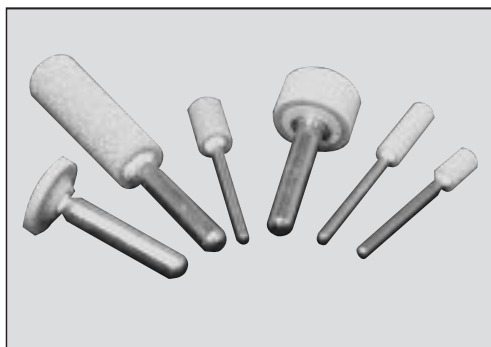
Part Number	Description
WD0080	80 Grit Wet / Dry Paper
WD0100	100 Grit Wet / Dry Paper
WD0120	120 Grit Wet / Dry Paper
WD0150	150 Grit Wet / Dry Paper
WD0180	180 Grit Wet / Dry Paper
WD0220	220 Grit Wet / Dry Paper
WD0240	240 Grit Wet / Dry Paper
WD0280	280 Grit Wet / Dry Paper
WD0320	320 Grit Wet / Dry Paper
WD0400	400 Grit Wet / Dry Paper



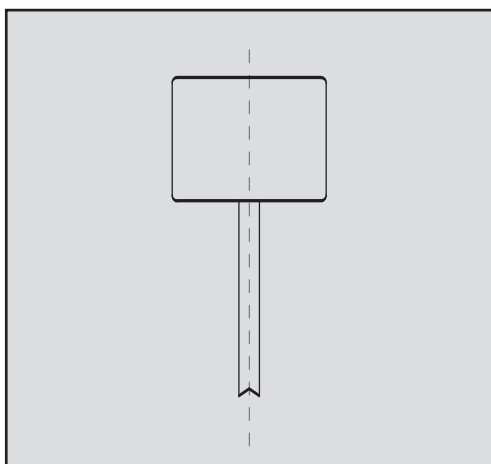
Part Number	Description
WD0500	500 Grit Wet / Dry Paper
WD0600	600 Grit Wet / Dry Paper
WD0800	800 Grit Wet / Dry Paper
WD1000	1000 Grit Wet / Dry Paper
WD1200	1200 Grit Wet / Dry Paper

Mounted Points

“W” Shapes



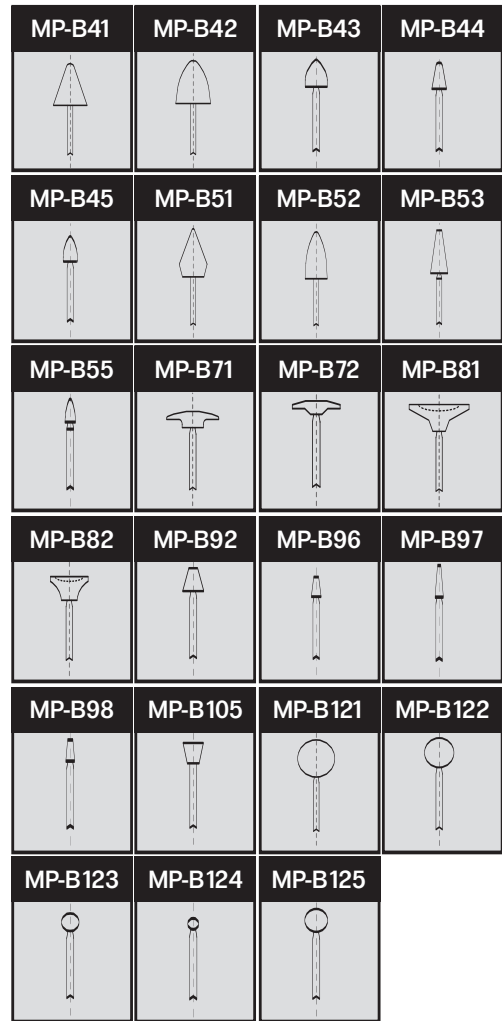
All W Shapes are basically rectangular or square. The diameter (D) and thickness (T).



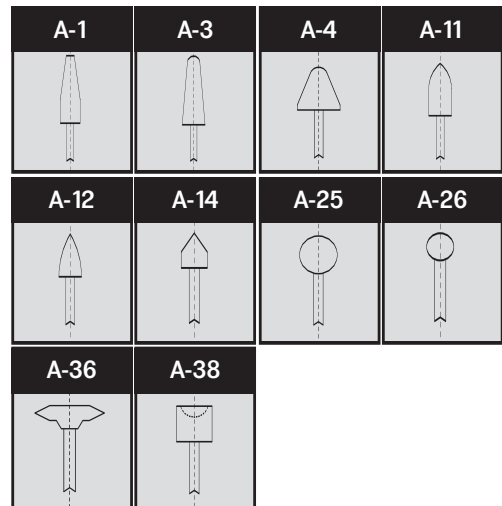
Part Number	Diameter	Thick	Mandrel
MP-W142	3/32	1/4	1/8
MP-W144	1/8	1/4	1/8
MP-W145	1/8	3/8	1/8
MP-W146	1/8	1/2	1/8
MP-W149	5/32	1/4	1/8
MP-W152	3/16	1/2	1/8
MP-W153	3/16	3/8	1/8
MP-W154	3/16	1/2	1/8
MP-W159	1/4	3/16	1/8
MP-W160	1/4	1/4	1/8
MP-W162	1/4	3/8	1/8
MP-W163	1/4	1/2	1/8
MP-W164	1/4	3/4	1/8
MP-W167	5/16	1/4	1/8
MP-W170	5/16	1/2	1/8
MP-W173	3/8	1/8	1/8
MP-W174	3/8	1/4	1/8
MP-W175	3/8	3/8	1/8
MP-W176	3/8	1/2	1/8
MP-W177	3/8	3/4	1/8
MP-W182	1/2	1/8	1/8
MP-W184	1/2	3/8	1/8
MP-W185	1/2	1/2	1/8
MP-W186	1/2	3/4	1/4
MP-W187	1/2	1	1/4
MP-W188	1/2	1 1/2	1/4
MP-W197	5/8	2	1/4
MP-W200	3/4	1/8	1/8
MP-W201	3/4	1/4	1/8
MP-W202	3/4	3/8	1/4
MP-W203	3/4	1/2	1/4
MP-W204	3/4	3/4	1/4
MP-W205	3/4	1	1/4
MP-W215	1	1/8	1/8
MP-W216	1	1/4	1/4
MP-W218	1	1/2	1/4
MP-W219	1	3/4	1/4
MP-W220	1	1	1/4
MP-W227	1 1/4	1/2	1/4

Mounted Points

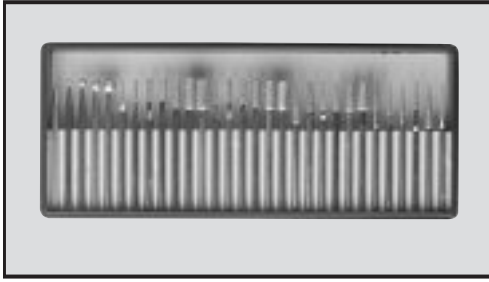
Part Number	Diameter	Thick	Mandrel
MP-B41	5/8	5/8	1/8
MP-B42	1/2	3/4	1/8
MP-B43	1/4	5/16	1/8
MP-B44	7/32	3/8	1/8
MP-B45	3/16	5/16	1/8
MP-B51	7/16	3/4	1/8
MP-B52	3/8	3/4	1/8
MP-B53	1/4	5/8	1/8
MP-B55	1/8	1/4	1/8
MP-B71	5/8	1/8	1/8
MP-B72	1/2	1/8	1/8
MP-B81	3/4	3/16	1/8
MP-B82	1/2	1/4	1/8
MP-B92	1/4	1/4	1/8
MP-B96	1/8	1/4	1/8
MP-B97	1/8	3/8	1/8
MP-B98	3/32	1/4	1/8
MP-B105	1/4	1/4	1/8
MP-B121	1/2	1/2	1/8
MP-B123	3/16	3/16	1/8
MP-B124	1/8	1/8	1/8
MP-B125	1/4	1/4	1/8



Part Number	Diameter	Thick	Mandrel
A-1	3/4	2-1/2	1/4
A-3	1	2-3/4	1/4
A-4	1-1/4	1-1/4	1/4
A-11	7/8	2	1/4
A-12	11/16	1-1/4	1/4
A-14	11/16	7/8	1/4
A-25	1 ROUND		
A-26	5/8 ROUND		
A-36	1-5/8	3/8	1/4
A-38	1	1	1/4



Diamond Point Sets



Part Number	Description
DP	30 Medium grit diamond plated mounted points picked to suit the toolmaker, sold in a plastic case.

Precision Air Grinders & Lappers



Part Number	Description
LDG5202	54,000 RPM Economy Air Grinder



Part Number	Description
AG	This Air Grinder is the ultimate in precision air grinders, 64,000 RPM, ideal for quality tool room work.



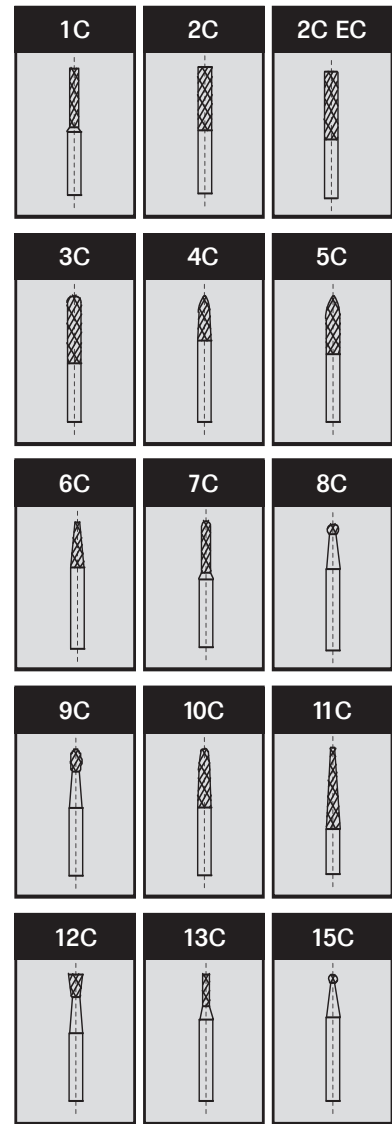
Part Number	Description
LDG7101	120° Angle Grinder. Standard accessories are cup wheels, a rubber pad and abrasive discs.



Part Number	Description
AR991	Air Lapper. 0-6mm Stroke 4500 Strokes per minute

Solid Carbide Burs

Part No.	Shank Diameter	Overall Length	Cutting Diameter	Flute Length	Taper
1C	1/8"	1 1/2"	3/32"	7/16"	
2C	1/8"	1 1/2"	1/8"	9/16"	
2C EC	1/8"	1 1/2"	1/8"	9/16"	
3C	1/8"	1 1/2"	1/8"	9/16"	
4C	1/8"	1 1/2"	1/8"	3/8"	
5C	1/8"	1 1/2"	1/8"	1/2"	
6C	1/8"	1 1/2"	1/8"	11/32"	12
7C	1/8"	1 1/2"	3/32"	7/16"	
8C	1/8"	1 1/2"	1/8"	1/8"	
9C	1/8"	1 1/2"	1/8"	7/32"	
10C	1/8"	1 1/2"	1/8"	1/2"	
11C	1/8"	1 1/2"	1/8"	5/8"	7
12C	1/8"	1 1/2"	1/8"	3/16"	10
13C	1/8"	1 1/2"	1/16"	1/4"	
15C	1/8"	1 1/2"	3/32"	3/32"	



Part No.	Overall Length	Cutting Diameter	Flute Length	Taper
1P	1/8"	1/4"	1/2"	
2P	1/8"	1/4"	1/2"	
3P	1/8"	1/4"	1/2"	
4P	1/8"	1/4"	1/2"	
5P	1/8"	1/4"	1/2"	22
6P E/C	1/8"	1/4"	3/16"	
7P	1/8"	1/4"	1/4"	
8P	1/8"	1/4"	3/8"	

