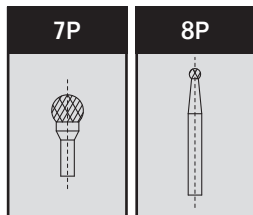
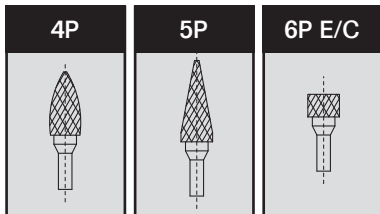
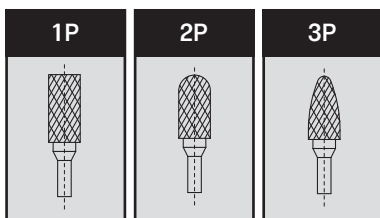
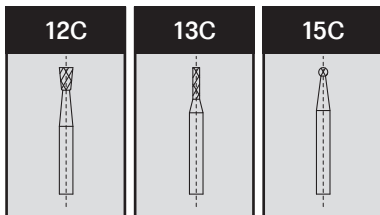
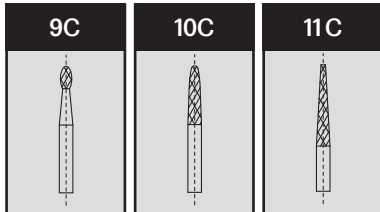
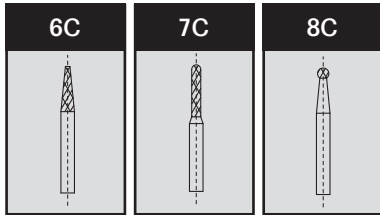
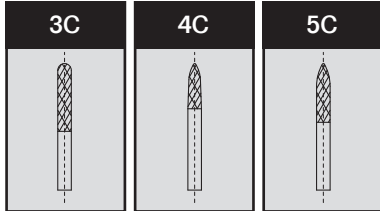
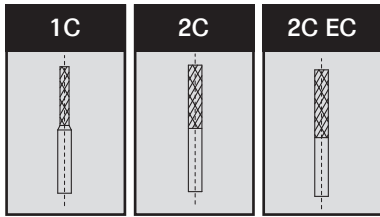


# Solid Carbide Burs



| Part No. | Shank Diameter | Overall Length | Cutting Diameter | Flute Length | Taper |
|----------|----------------|----------------|------------------|--------------|-------|
| 1C       | 1/8"           | 1 1/2"         | 3/32"            | 7/16"        |       |
| 2C       | 1/8"           | 1 1/2"         | 1/8"             | 9/16"        |       |
| 2C EC    | 1/8"           | 1 1/2"         | 1/8"             | 9/16"        |       |
| 3C       | 1/8"           | 1 1/2"         | 1/8"             | 9/16"        |       |
| 4C       | 1/8"           | 1 1/2"         | 1/8"             | 3/8"         |       |
| 5C       | 1/8"           | 1 1/2"         | 1/8"             | 1/2"         |       |
| 6C       | 1/8"           | 1 1/2"         | 1/8"             | 11/32"       | 12    |
| 7C       | 1/8"           | 1 1/2"         | 3/32"            | 7/16"        |       |
| 8C       | 1/8"           | 1 1/2"         | 1/8"             | 1/8"         |       |
| 9C       | 1/8"           | 1 1/2"         | 1/8"             | 7/32"        |       |
| 10C      | 1/8"           | 1 1/2"         | 1/8"             | 1/2"         |       |
| 11C      | 1/8"           | 1 1/2"         | 1/8"             | 5/8"         | 7     |
| 12C      | 1/8"           | 1 1/2"         | 1/8"             | 3/16"        | 10    |
| 13C      | 1/8"           | 1 1/2"         | 1/16"            | 1/4"         |       |
| 15C      | 1/8"           | 1 1/2"         | 3/32"            | 3/32"        |       |

| Part No. | Overall Length | Cutting Diameter | Flute Length | Taper |
|----------|----------------|------------------|--------------|-------|
| 1P       | 1/8"           | 1/4"             | 1/2"         |       |
| 2P       | 1/8"           | 1/4"             | 1/2"         |       |
| 3P       | 1/8"           | 1/4"             | 1/2"         |       |
| 4P       | 1/8"           | 1/4"             | 1/2"         |       |
| 5P       | 1/8"           | 1/4"             | 1/2"         | 22    |
| 6P E/C   | 1/8"           | 1/4"             | 3/16"        |       |
| 7P       | 1/8"           | 1/4"             | 1/4"         |       |
| 8P       | 1/8"           | 1/4"             | 3/8"         |       |

# Precision Air Grinders

| Part Number | Description                    |
|-------------|--------------------------------|
| LDG5202     | 54,000 RPM Economy Air Grinder |



| Part Number | Description   |
|-------------|---|
| AG          | This Air Grinder is the ultimate in precision air grinders, 64,000 RPM, ideal for quality tool room work. |



| Part Number | Description   |
|-------------|---|
| LDG7101     | 120° Angle Grinder. Standard accessories are cup wheels, a rubber pad and abrasive discs. |



# Air Polisher

Part Number

Description

AR991

0 - 6mm Stroke 4500 Strokes per minute



# Ultrasonic Polisher

Full Comprehensive Details Available



# Combination Stone



Combi stones are ideal for the toolmaker to carry in the top pocket. These oil filled stones are great for honing, sharpening and deburring. Combines 120 and 320 grits.

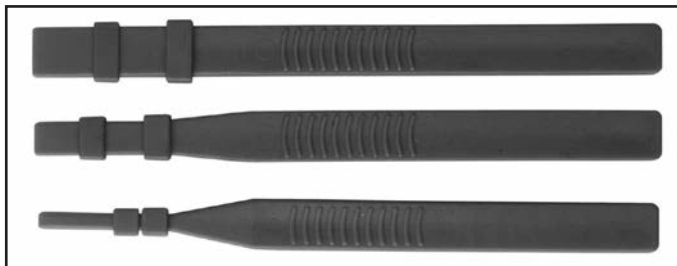
| Part Number | Description   |
|-------------|---------------|
| COMSTONE    | 16 x 41 x 114 |
| ZCS         | 25 x 50 x 200 |

## Hand-Held Stone Holder



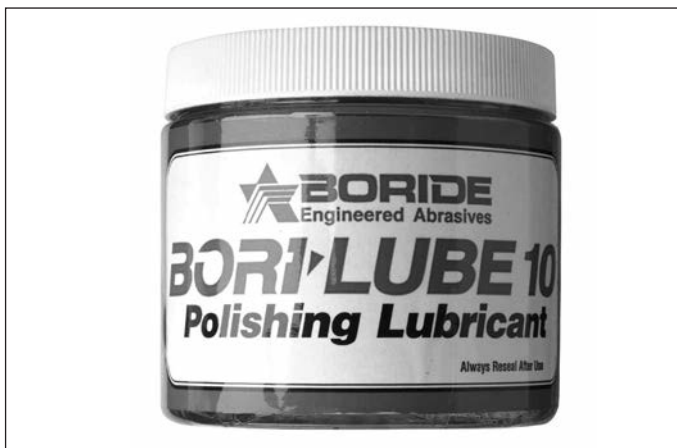
Much of a polishing stone is discarded due to a breakage or because it has become too short to hold. This stone holder supports the stone, affords excellent control and allows the stone to be used to a short length.

## Super Stone Holder



|       |  |
|-------|--|
| SSH2  | Stone holder for use with 2mm wide stones  |
| SSH6  | Stone holder for use with 6mm wide stones  |
| SSH10 | Stone holder for use with 10mm wide stones |

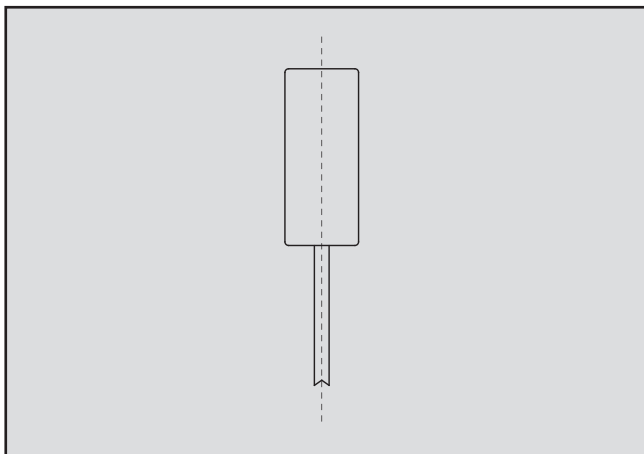
## Bori-Lube 10 Polishing Lubricant



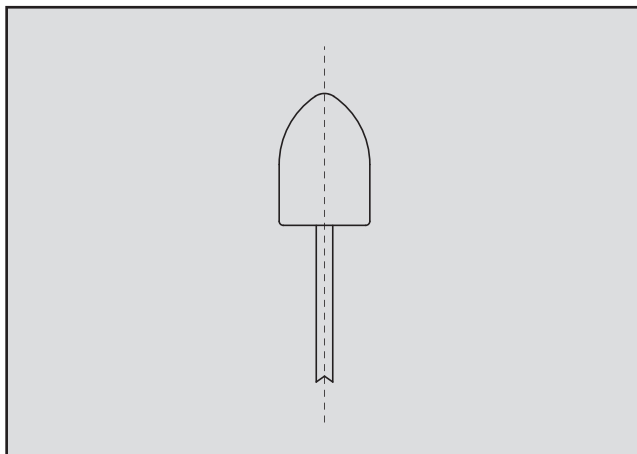
BORI-LUBE 10 is formulated for mould polishing to clean, lubricate and prevent stone loading. Environmentally friendly and non-hazardous.

# Felt Bobs and Cones

## BOB (FB)



## CONE (FC)



### Medium Grade Felt

| Part No. | Size Dia. | Size Length | Shank |
|----------|-----------|-------------|-------|
| FB1414   | 1/4       | 1/4         | 1/8   |
| FB14516  | 1/4       | 5/16        | 1/8   |
| FB1212   | 1/2       | 1/2         | 1/8   |
| FB121    | 1/2       | 1           | 1/8   |
| FB3434   | 3/4       | 3/4         | 1/8   |
| FB11     | 1         | 1           | 1/4   |

### Medium Grade Felt

| Part No. | Size Dia. | Size Length | Shank |
|----------|-----------|-------------|-------|
| FC14     | 1/4       | 5/8         | 1/8   |
| FC24     | 3/8       | 7/8         | 1/8   |
| FC12     | 1/2       | 1           | 1/8   |
| FC58     | 5/8       | 1 1/4       | 1/8   |

### Hard Grade Felt

| Part No. | Size Dia. | Size Length | Shank |
|----------|-----------|-------------|-------|
| FBH1212  | 1/4       | 1/4         | 1/8   |
| FBH3838  | 3/8       | 3/8         | 1/8   |
| FBH1212  | 1/2       | 1/2         | 1/8   |
| FBH3434  | 3/4       | 3/4         | 1/4   |

# Diamond Paste

Hales Diamond Compound contains the finest grades of diamond particles. The result is the best concentration.

| Part No. | Micron Size | Mesh Concentration | Colour      | Recommendations                      |
|----------|-------------|--------------------|-------------|--------------------------------------|
| DP01     | 1           | 14,000             | LIGHT BLUE  | For the finest finish on all tooling |
| DP03     | 3           | 8,000              | GREEN       |                                      |
| DP06     | 6           | 3,000              | YELLOW      | Commercial finish for most tooling   |
| DP09     | 9           | 18,000             | RED         |                                      |
| DP15     | 15          | 12,000             | LIGHT BROWN |                                      |
| DP30     | 30          | 750                | DARK BROWN  | First stage on all materials         |
| DP45     | 45          | 325                | PURPLE      |                                      |
| DP60     | 60          | 250                | ORANGE      | Stock removed                        |



# Diamond Thinner

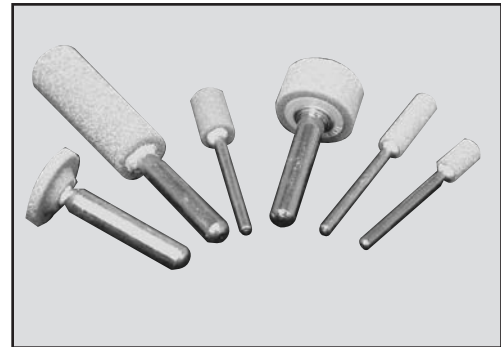


| Part No. | Description  |
|----------|--|
| DPT 16   | 16 ounce bottle<br>Hales Diamond Thinner is used to thin the slurry, extend the compound and reduce gumming. |

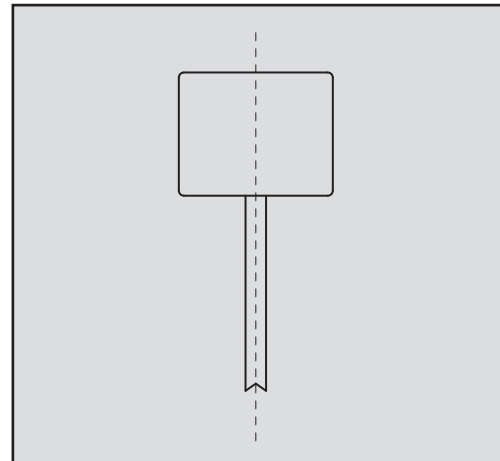
# Mounted Points

## “W” Shapes

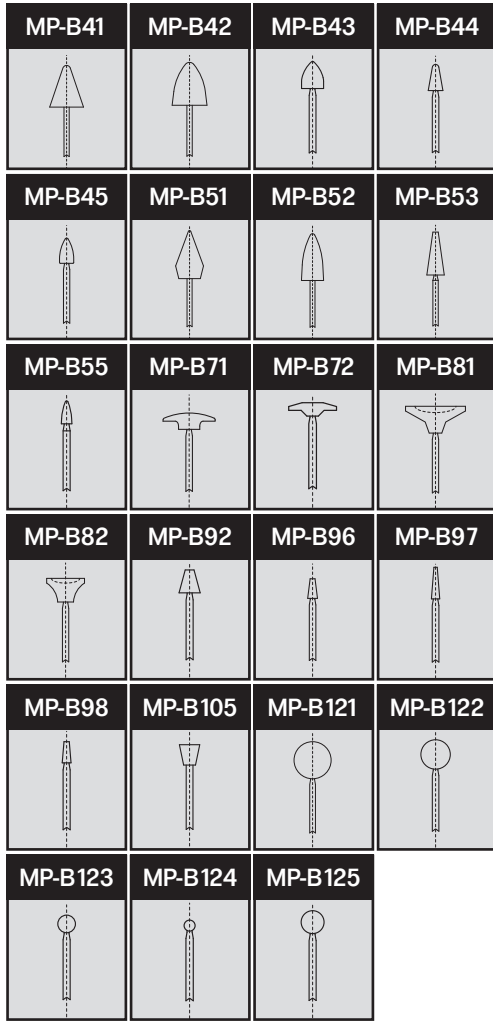
| Part Number | Diameter | Thick | Mandrel |
|-------------|----------|-------|---------|
| MP-W142     | 3/32     | 1/4   | 1/8     |
| MP-W144     | 1/8      | 1/4   | 1/8     |
| MP-W145     | 1/8      | 3/8   | 1/8     |
| MP-W146     | 1/8      | 1/2   | 1/8     |
| MP-W149     | 5/32     | 1/4   | 1/8     |
| MP-W152     | 3/16     | 1/2   | 1/8     |
| MP-W153     | 3/16     | 3/8   | 1/8     |
| MP-W154     | 3/16     | 1/2   | 1/8     |
| MP-W159     | 1/4      | 3/16  | 1/8     |
| MP-W160     | 1/4      | 1/4   | 1/8     |
| MP-W162     | 1/4      | 3/8   | 1/8     |
| MP-W163     | 1/4      | 1/2   | 1/8     |
| MP-W164     | 1/4      | 3/4   | 1/8     |
| MP-W167     | 5/16     | 1/4   | 1/8     |
| MP-W170     | 5/16     | 1/2   | 1/8     |
| MP-W173     | 3/8      | 1/8   | 1/8     |
| MP-W174     | 3/8      | 1/4   | 1/8     |
| MP-W175     | 3/8      | 3/8   | 1/8     |
| MP-W176     | 3/8      | 1/2   | 1/8     |
| MP-W177     | 3/8      | 3/4   | 1/8     |
| MP-W182     | 1/2      | 1/8   | 1/8     |
| MP-W184     | 1/2      | 3/8   | 1/8     |
| MP-W185     | 1/2      | 1/2   | 1/8     |
| MP-W186     | 1/2      | 3/4   | 1/4     |
| MP-W187     | 1/2      | 1     | 1/4     |
| MP-W188     | 1/2      | 1 1/2 | 1/4     |
| MP-W197     | 5/8      | 2     | 1/4     |
| MP-W200     | 3/4      | 1/8   | 1/8     |
| MP-W201     | 3/4      | 1/4   | 1/8     |
| MP-W202     | 3/4      | 3/8   | 1/4     |
| MP-W203     | 3/4      | 1/2   | 1/4     |
| MP-W204     | 3/4      | 3/4   | 1/4     |
| MP-W205     | 3/4      | 1     | 1/4     |
| MP-W215     | 1        | 1/8   | 1/8     |
| MP-W216     | 1        | 1/4   | 1/4     |
| MP-W218     | 1        | 1/2   | 1/4     |
| MP-W219     | 1        | 3/4   | 1/4     |
| MP-W220     | 1        | 1     | 1/4     |
| MP-W227     | 1 1/4    | 1/2   | 1/4     |



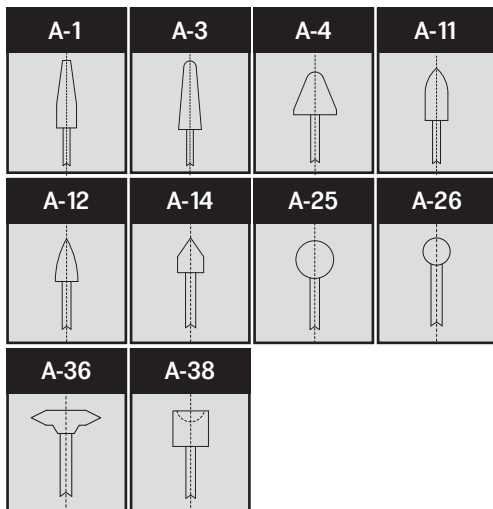
All W Shapes are basically rectangular or square. The diameter (D) and thickness (T).



# Mounted Points



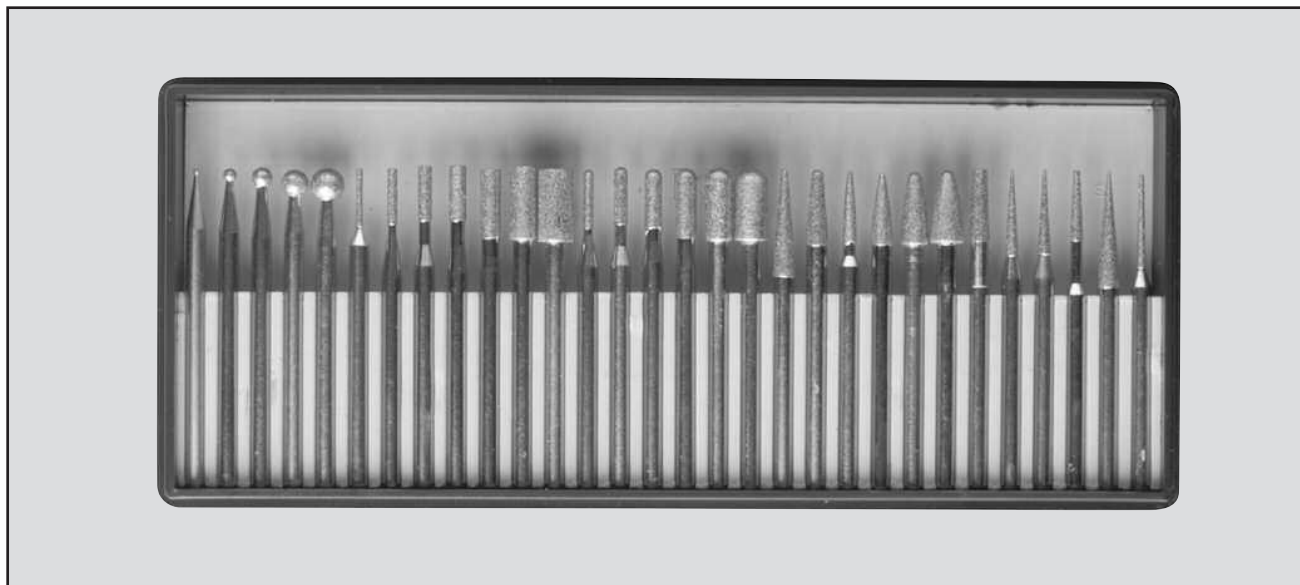
| Part Number | Diameter | Thick | Mandrel |
|-------------|----------|-------|---------|
| MP-B41      | 5/8      | 5/8   | 1/8     |
| MP-B42      | 1/2      | 3/4   | 1/8     |
| MP-B43      | 1/4      | 5/16  | 1/8     |
| MP-B44      | 7/32     | 3/8   | 1/8     |
| MP-B45      | 3/16     | 5/16  | 1/8     |
| MP-B51      | 7/16     | 3/4   | 1/8     |
| MP-B52      | 3/8      | 3/4   | 1/8     |
| MP-B53      | 1/4      | 5/8   | 1/8     |
| MP-B55      | 1/8      | 1/4   | 1/8     |
| MP-B71      | 5/8      | 1/8   | 1/8     |
| MP-B72      | 1/2      | 1/8   | 1/8     |
| MP-B81      | 3/4      | 3/16  | 1/8     |
| MP-B82      | 1/2      | 1/4   | 1/8     |
| MP-B92      | 1/4      | 1/4   | 1/8     |
| MP-B96      | 1/8      | 1/4   | 1/8     |
| MP-B97      | 1/8      | 3/8   | 1/8     |
| MP-B98      | 3/32     | 1/4   | 1/8     |
| MP-B105     | 1/4      | 1/4   | 1/8     |
| MP-B121     | 1/2      | 1/2   | 1/8     |
| MP-B123     | 3/16     | 3/16  | 1/8     |
| MP-B124     | 1/8      | 1/8   | 1/8     |
| MP-B125     | 1/4      | 1/4   | 1/8     |



| Part Number | Diameter  | Thick | Mandrel |
|-------------|-----------|-------|---------|
| A-1         | 3/4       | 2-1/2 | 1/4     |
| A-3         | 1         | 2-3/4 | 1/4     |
| A-4         | 1-1/4     | 1-1/4 | 1/4     |
| A-11        | 7/8       | 2     | 1/4     |
| A-12        | 11/16     | 1-1/4 | 1/4     |
| A-14        | 11/16     | 7/8   | 1/4     |
| A-25        | 1 ROUND   |       |         |
| A-26        | 5/8 ROUND |       |         |
| A-36        | 1-5/8     | 3/8   | 1/4     |
| A-38        | 1         | 1     | 1/4     |



# Diamond Point Sets



| Part Number | Description  |
|-------------|--|
| DP          | 30 Medium grit diamond plated mounted points picked to suit the toolmaker, sold in a plastic case. |

## Rubbing Points



| Product Code | Product Title                       |
|--------------|-------------------------------------|
| RP6120       | 6 x 17 x 120G RUBBING POINTS GREEN  |
| RP6180       | 6 x 17 x 180G RUBBING POINTS YELLOW |
| RP8120       | 8 x 20 x 120G RUBBING POINTS GREEN  |
| RP8180       | 8 x 20 x 180G RUBBING POINTS YELLOW |
| RP10120      | 10 X 20 X120G RUBBING POINTS GREEN  |
| RP10180      | 10 X 20 X180G RUBBING POINTS YELLOW |
| RP20120      | 20 X 25 X120G RUBBING POINTS GREEN  |
| RP20180      | 20 X 25 X180G RUBBING POINTS YELLOW |