

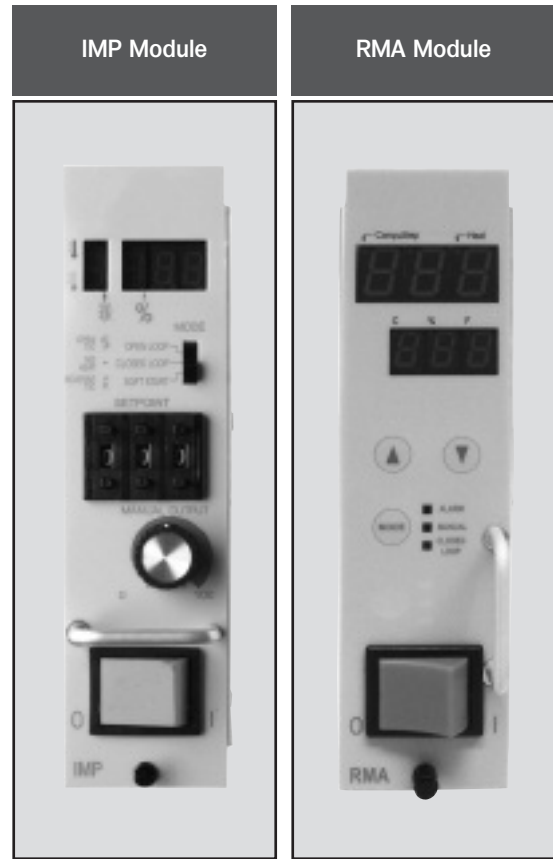
# Hot Runner Temperature Control Systems

## IMP Module

- Available in single zone, 15amp and 30amp temperature controllers, as well as for multi-zone temperature control systems.
- CompuStep feature removes moisture from the heater before full power is applied.
- CompuCycle feature improves response time, reduces thermal fatigue and prolongs heater life by applying AC power smoothly and continuously.
- Manual control for non-thermocouple applications, provides standby or "weekend" heat or to manually control temperature if a thermocouple fails.
- Diagnostic and protection features include power "on", power to load, manual made, and over/under temperature, plus indicators and system protection for reversed and open thermocouples.

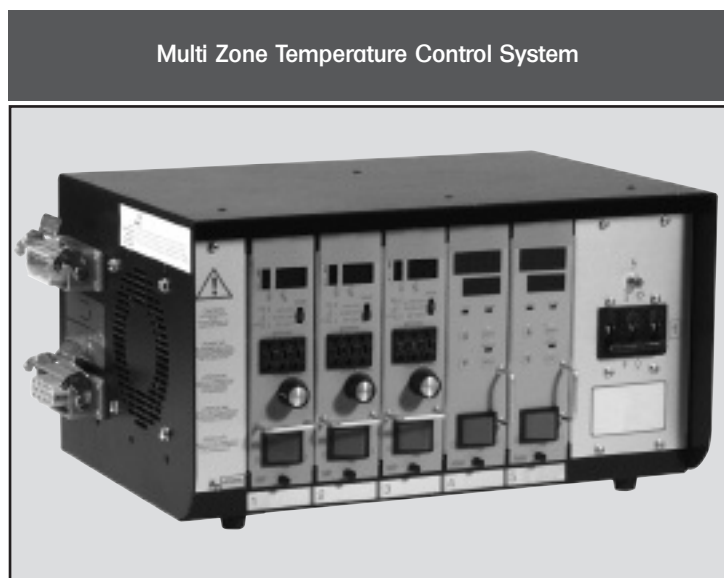
## RMA Module

- Simultaneous digital setpoint and digital temperature indication.
- Accepts Type J or Type K thermocouple input (jumper selectable).
- Auto-tuning, with adjustable proportional band and rate.
- Bumpless auto/manual transfer.
- CompuStep bakeout feature prevents moisture at start-up.
- Built-in loop break, short, open, and reverse thermocouple protection
- Optional triac failure protection.
- Preset alarms at 30°F (17°C).
- Jumper-selectable self-start mode.
- Current monitor feature displays average current to load.
- CE-compliant.



Description	Code
2 Zone 15 Amp	MFFMP2
3 Zone 15 Amp	MFFMP3
5 Zone 15 Amp	MFx5
8 Zone 15 Amp	MFx8
12 Zone 15 Amp	MFx12

16 to 48 Zone Mainframes are also available to order. 30 Amp option also available.



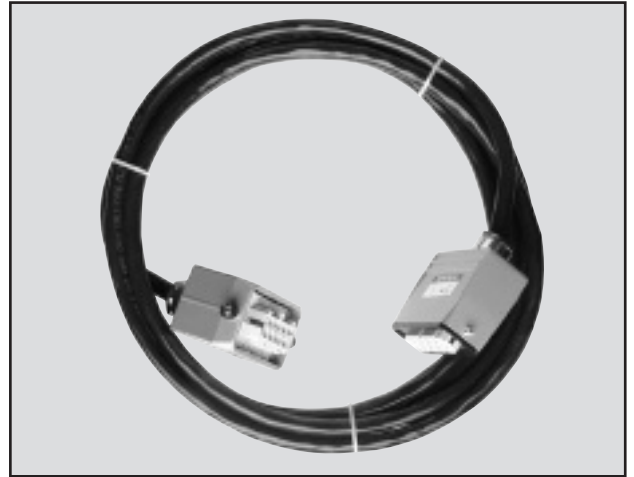
Mounting Boxes		
Box	Zones	Kit
PTCL= Combination Box (domestic and export)	005= 5 Zones 008= 8 Zones 012= 12 Zones	TB= Terminal Box



# Multi Zone Controller

## Thermocouple Cables

Cable	Zones	Length
TC= Mould Thermocouple Cable	05= 5 Zones 08= 8 Zones 12= 12 Zones	C10= 10' C20= 20'



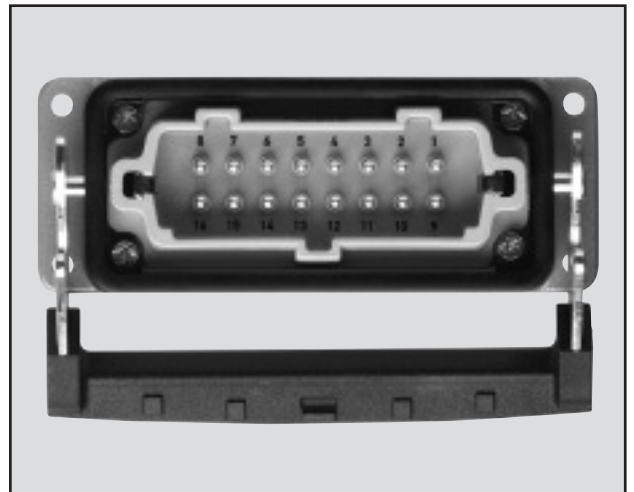
## Power Cables

Cable	Zones	Length
MPC= Mould Power Cable	05= 5 Zones 08= 8 Zones 12= 12 Zones	C10= 10' C20= 20'



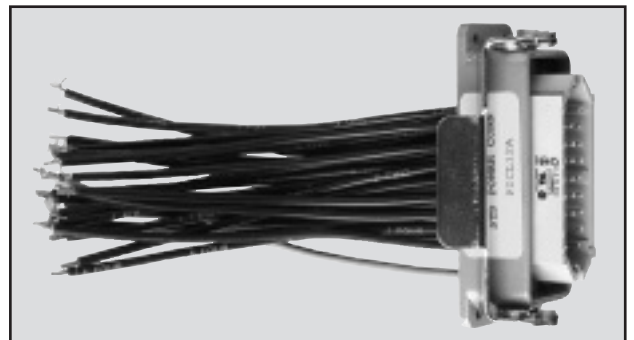
## Thermocouple Connectors

Connector	Zones
MTC= Mould Thermocouple Connector	05= 5 Zones 08= 8 Zones 12= 12 Zones



## Mould Power/Input Connectors

Connector	Zones
PIC= Mould Power Connector	05= 5 Zones 08= 8 Zones 12= 12 Zones



# Single Zone Controller

Features as per IMPX15 Module

## Single Zone Temperature Control System

Description	Code
10 Amp Unit	PIM1Bx10



## Combination Power and Thermocouple Cables

Cable	Length
MPTC= Combination Power and Thermocouple Cables	C10= 10' C20= 20'



## Single Zone Connectors

CKPTM1

CKPTOC1

CKPTF1

CKPTIC1



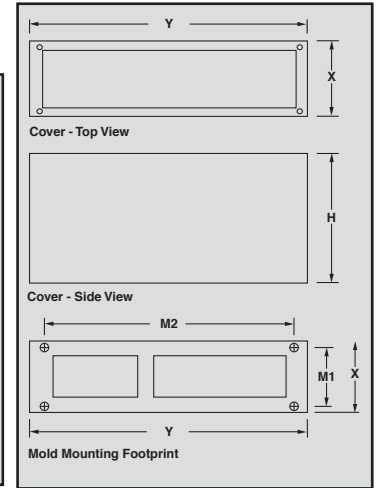
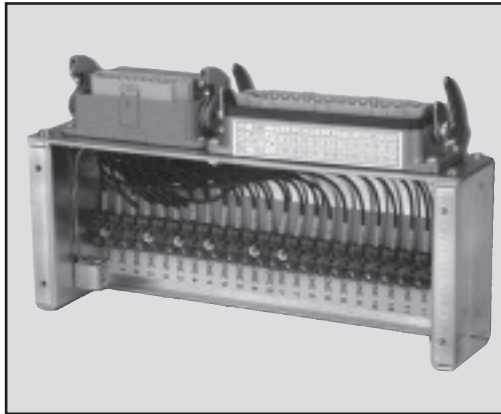
# Mould Junction Box

## Prewired Combination Mould Junction Box for Hot Runner Wiring

Athena Prewired Combination Mould Junction Boxes are available in three different models and offer a fast and simple method for mounting of power and thermocouple connectors to the mould. Each box contains a terminal strip for easy wiring of the power connector without having to crimp the wires.

### Each Box

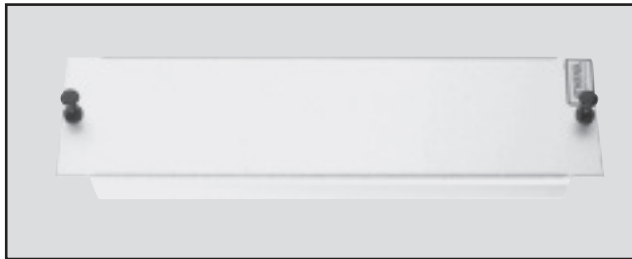
- Is Constructed of Plated Heavy Gauge Steel
- Has Drilled Holes for Quick Mounting of the Box to the Mold
- Features Pre-Numbered Terminal Strips to Correspond with the Power Connectors
- Comes with All Necessary Mounting Hardware



Part Number	. of Zones
PTBC005	005
PTBC008	008
PTBC012	012

Length (Y)	Width (X)	Height (H)	Mounting Hole (M1)	Mounting Hole (M2)
8.66'	2.75'	4.50'	1.500	8.031
9.47'	2.75'	4.50'	1.500	8.843
10.53'	2.75'	4.50'	1.500	9.906

# Hot Runner Controller Accessories



### Closure (Blanking) Panels

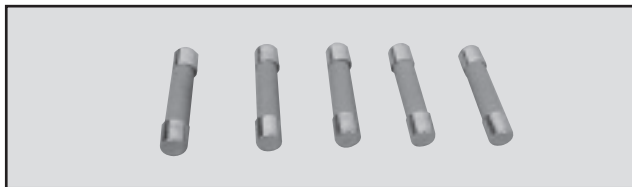
Must be used to cover unused zones in main frames. Supplied with push-pull panel fasteners.

Panel	Zones
MFB= Blank	10= Single Zone



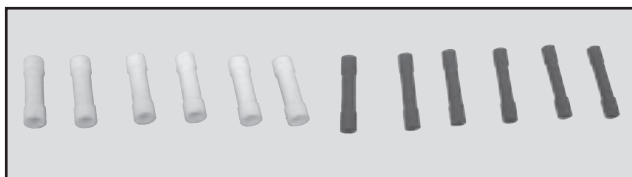
### Universal Floor Stand

Panel	Zones
MFS= Floorstand	5812= Adjustable



### Module Replacement Fuses

Catalogue No.	Amps
ABC15	15
A25X30	30
ABC10	10



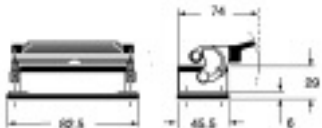
### Insulated Crimp Connectors

Catalogue No.	Amps
HWCC-1	15
HWCC-2	30

**Ask about our in house service and repairs**

# Multipole Connectors

CHI 06 L

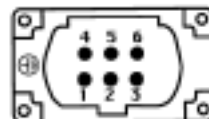


MHV 06 LG25



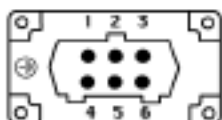
CNEM 06 T - Male Inserts

6 Pin 16 amp 400 volt

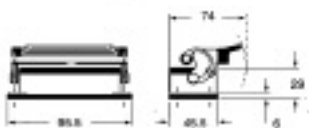


CNEF 06 T - Female Inserts

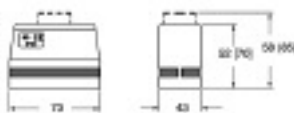
6 Pin 16 amp 400 volt



CHI 10 L

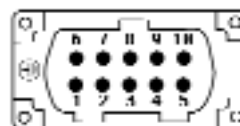


MHV 10 L 32



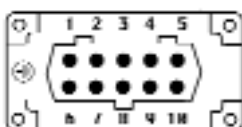
CNEM10 T

10 Pin 16 amp 400 volt



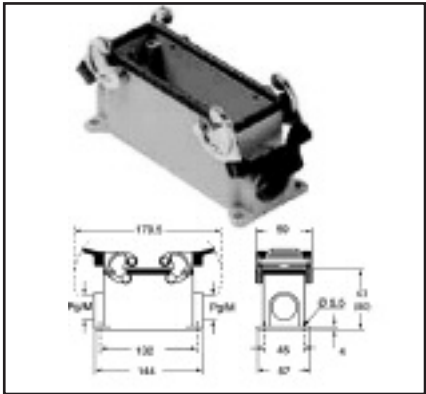
CNEF10 T

10 Pin 16 amp 400 volt

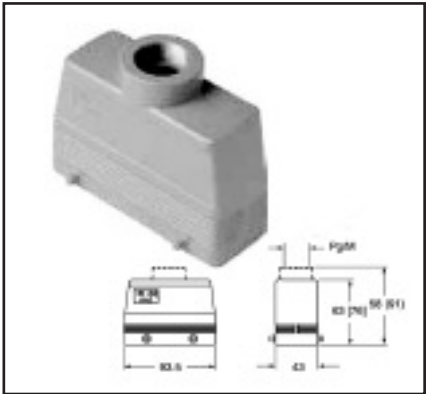


# Multipole Connectors

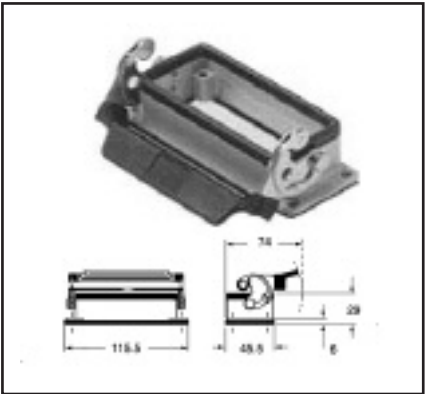
MHP16.225/240



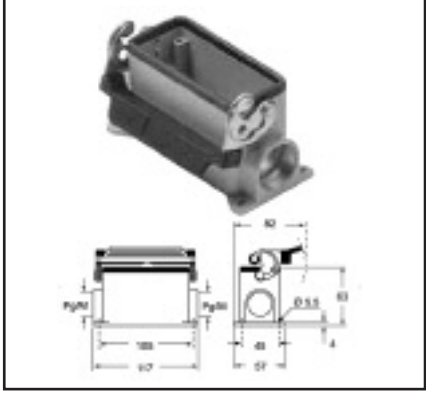
MHV16.25/32



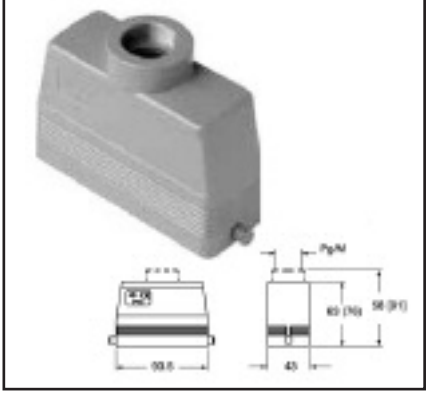
CHI 16L



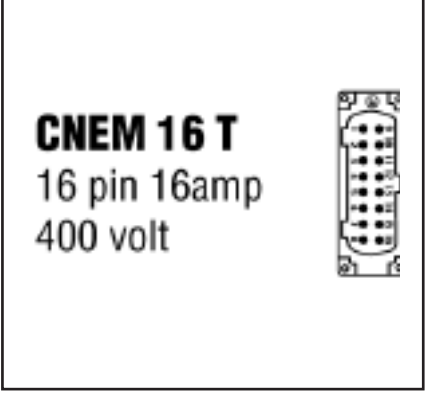
MHP16 L225



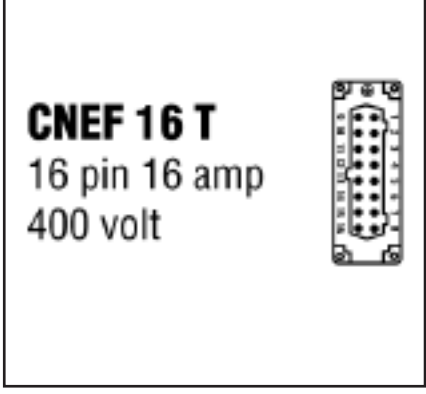
MHV 16 L25/32



CNEM 16T



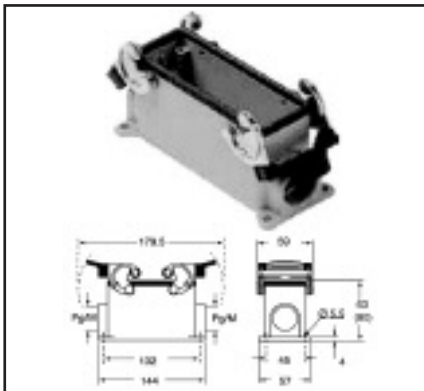
CNEF 16T



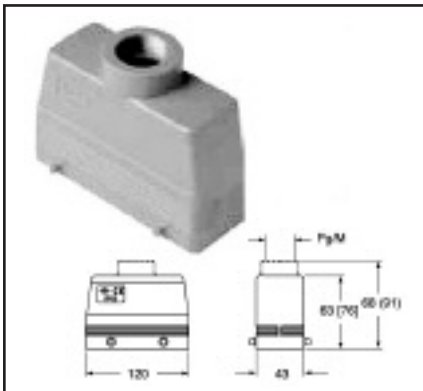


# Multipole Connectors

MHP24.225/240



MHV24.32



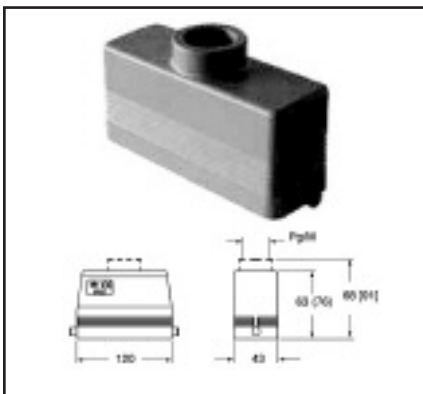
CHI24 L



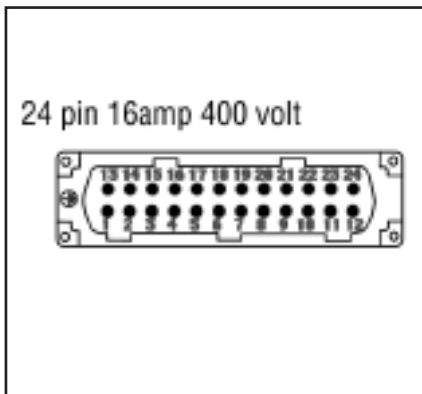
MHP L225



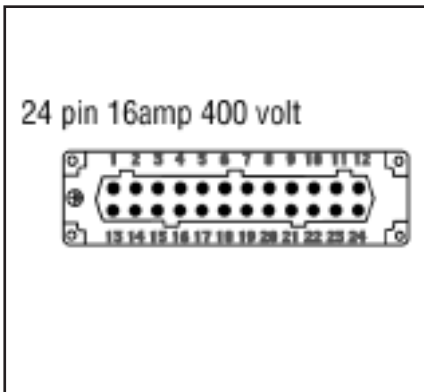
MHV24L32



CNEM 24T



CNEF 24 T



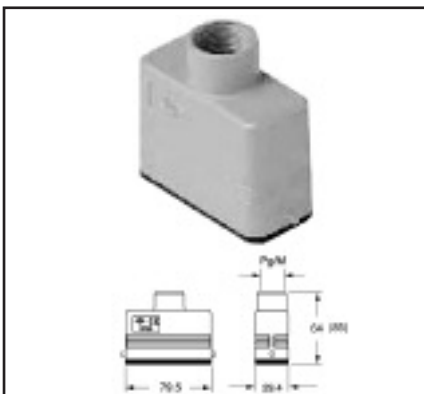
CZI 25L



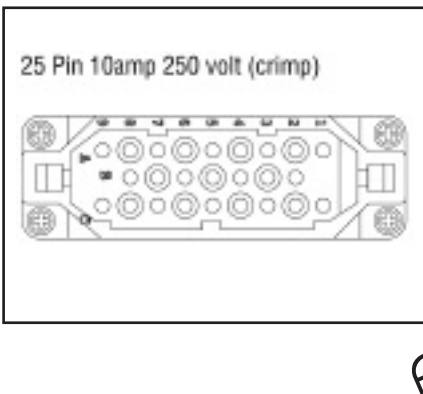
MZP 25 L225



Mzav 25L25



CDM 25



CDF 25

